

Digital servoproportionals

Atos new digital servoproportionals are performing in hundreds advanced electrohydraulic applications: spool-sleeve accurate operation, closed-loop feedback & integral electronics, high-response with excellent reliability... at the top of proportional lines.

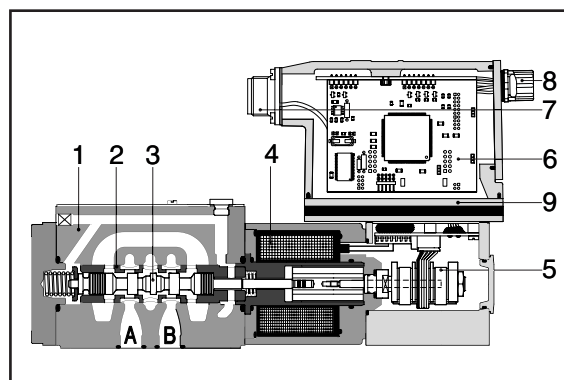
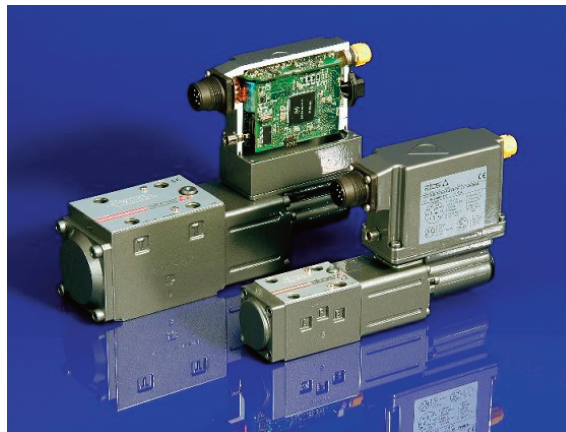
Features

- ISO 4401 sizes 06 & 10, single proportional solenoid
- spool-sleeve operation: control spool sliding into a precision machined and hardened sleeve for the best overlapping accuracy
- the spool position is controlled in closed loop via LVDT integral transducer
- fail-safe position when switched off
- digital electronics, integral to valve, factory preset
- high- dynamic control of flow, pressure, position
- regulation parameters are set using Atos unique PC software
- interface for fieldbus networks
- rugged option v. high vibration duties & shocks up to 30g
- ex-proof & stainless steel options
- max flow respectively up to 40 l/min and 100 l/min with $\Delta p = 70$ bar
- max pressure = 350 bar

Main characteristics

- response time respectively < 10 ms and <15 ms at 100% step signal
- low Thermal Drift < 1% at $\Delta T = 40^{\circ}\text{C}$
- pressure Gain = 2-3% of the max stroke
- dynamic response respectively up to 120 Hz and up to 90 Hz
- digital DSP processor and CMOS technology
- power consumption respectively 35-50 W
- protection degree IP67

Look at www.atos.com



- 1 shell moulding body
- 2 hardened sleeve
- 3 spools selection
- 4 efficient proportional solenoid
- 5 LVDT transducer
- 6 integral electronics
- 7 7plug main connector
- 8 M12 fieldbus connector
- 9 cushion plate